

## ScreenOut<sup>®</sup> Pro Back-to-Back

Item no.: 1743

### Outdoor totem for two screens with heating and ventilation

The ScreenOut<sup>®</sup> Pro back-to-back is an outdoor totem, which is suitable for 2 screens with a screen size of 55" | 140 cm. The screens are mounted „back-to-back“. The VESA mount meets the VESA standard and is adapted to the respective hole pattern on the screen.

The totem is made from a high-quality steel construction, is lockable and supplied with 6.4 mm thick, anti-reflective laminated safety glass (VSG). The base offers space for concealed floor wiring and is accessible via a service flap. The installed components are always protected against unauthorized access and vandalism.

The ScreenOut<sup>®</sup> Eco Kiosk series includes active ventilation by high-quality industrial fans and a filter bank as standard to ensure perfect air circulation (air curtain) or filtering.

The front of the outdoor totem is manufactured according to protection standard IP65 / NEMA 4, the back according to IP54 standard. The cabling and protection is carried out professionally according to VDE specifications (e-check).

The outdoor totem is also tested according to EMC requirements and has the DGUV V3 seal of approval.

The interior dimensions offer enough space e. G. for a mini PC, Set Top Box or plug-bar.

Thanks to industrial fans, industrial heating and double sensor-based temperature control the outdoor totem is suitable in an ambient temperature range from -25 up to +40° C.

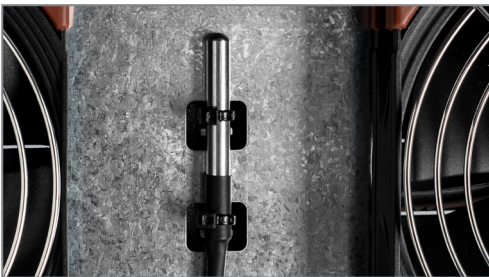
The standard version is intended for permanent installation using a foundation\*.

Optionally, the totem can be customized in special RAL colours or with a logo.

Optionally available with VA protection bumpers or base plate on request.



Cabling according to VDE guidelines



Temperature sensors



optional: VA protection bumpers



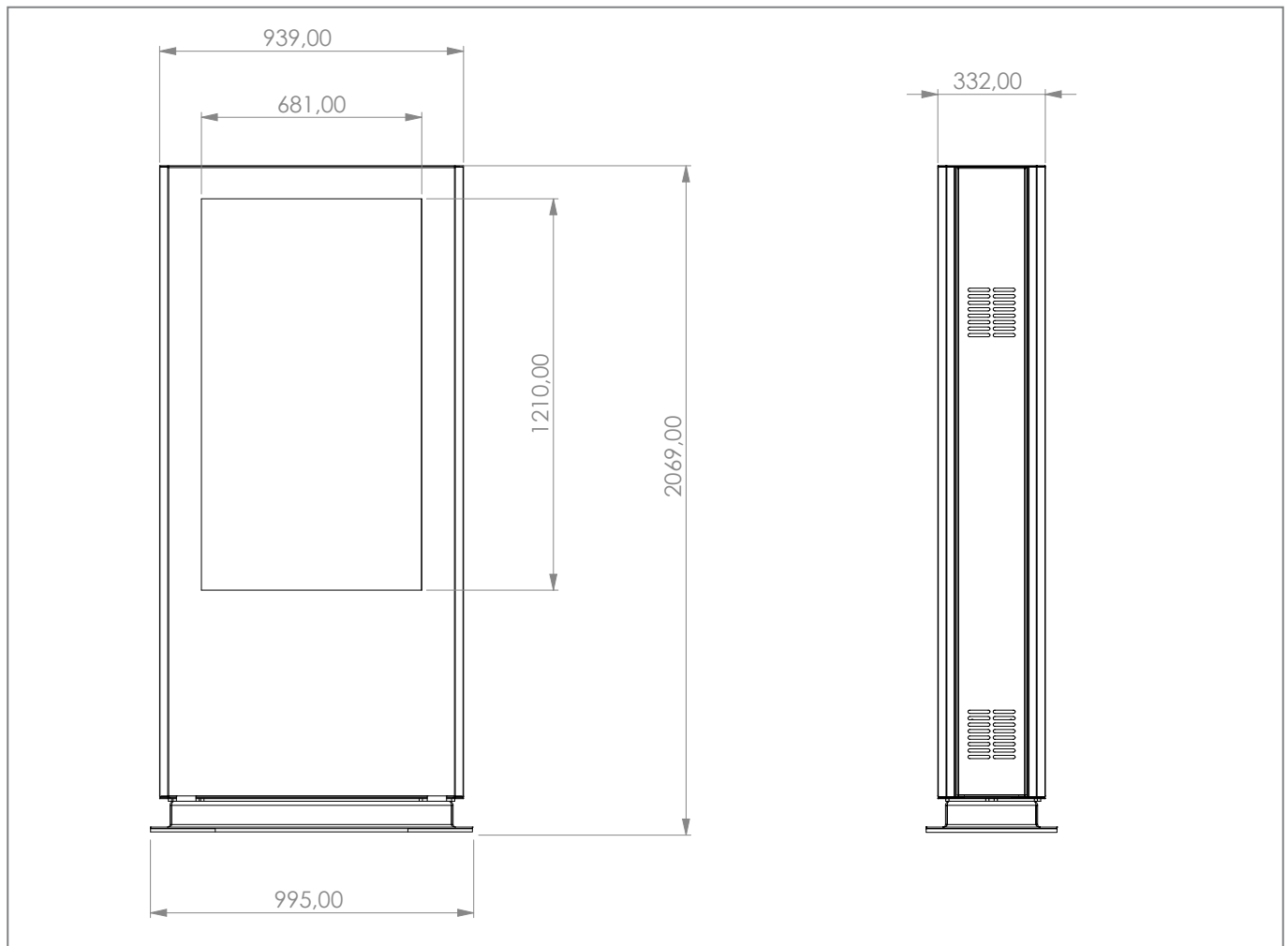
\*Please note! The supernatant of the threaded rods in the existing foundation must be at least 14 cm. Technical changes reserved.  
This document is the property of HAGOR Products GmbH. Forwarding and duplication of this document, utilization and communication of its contents are not permitted unless expressly permitted.  
A violation obliges you to pay compensation. All rights reserved in the event of a patent, utility model or design registration.

## ScreenOut<sup>®</sup> Pro Back-to-Back

Item no.: 1743

Outdoor totem for two screens with heating and ventilation

- for 2 screens with a size of 55" | 140 cm
- VESA mount, adapted to the hole pattern of the screen
- 6.4 mm thick, antireflective laminated safety glass (LSG)
- manufactured according to:  
IP 65 / NEMA 4 and IP 54
- totem is lockable, protection from unauthorized access and vandalism
- enough space for mini PC or Set Top Box
- integrated multiple socket
- impact and scratch resistant powder-coating
- standard: anthracite grey (RAL 7016),  
more RAL colours on request
- order-related production
- optional:
  - desired colour according to RAL (Item no.: 1664)
  - WLAN antenna (Item no.: 2515)
  - logo as film plot
  - base plate
  - VA protection bumpers

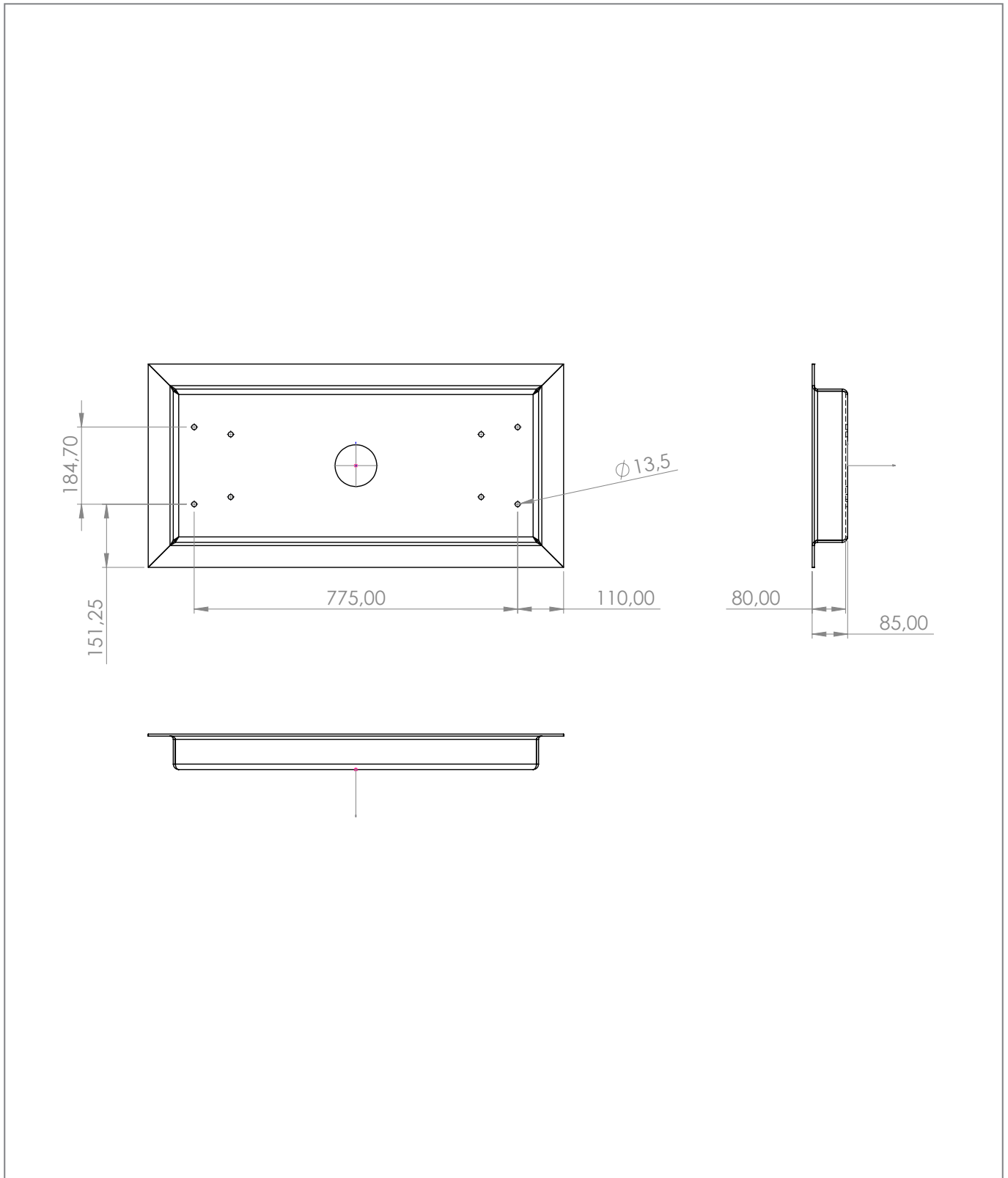


\*Please note! The supernatant of the threaded rods in the existing foundation must be at least 14 cm. Technical changes reserved.  
This document is the property of HAGOR Products GmbH. Forwarding and duplication of this document, utilization and communication of its contents are not permitted unless expressly permitted.  
A violation obliges you to pay compensation. All rights reserved in the event of a patent, utility model or design registration.

# ScreenOut<sup>®</sup> Pro Back-to-Back

Outdoor totem for two screens with heating and ventilation

Item no.: 1743



\*Please note! The supernatant of the threaded rods in the existing foundation must be at least 14 cm. Technical changes reserved.  
This document is the property of HAGOR Products GmbH. Forwarding and duplication of this document, utilization and communication of its contents are not permitted unless expressly permitted.  
A violation obliges you to pay compensation. All rights reserved in the event of a patent, utility model or design registration.